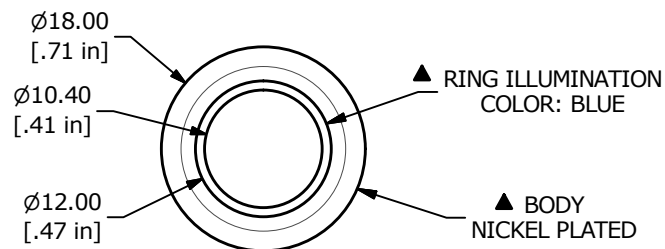


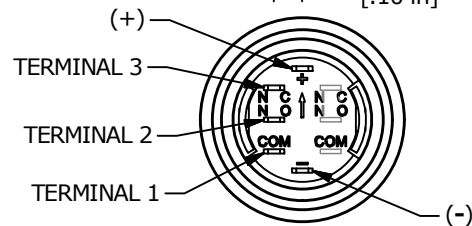
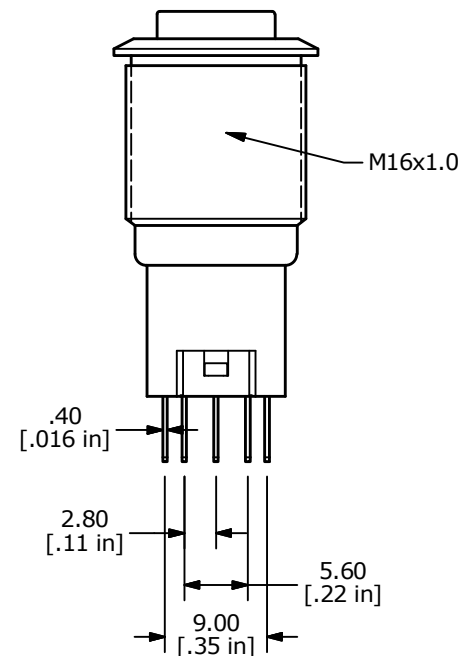
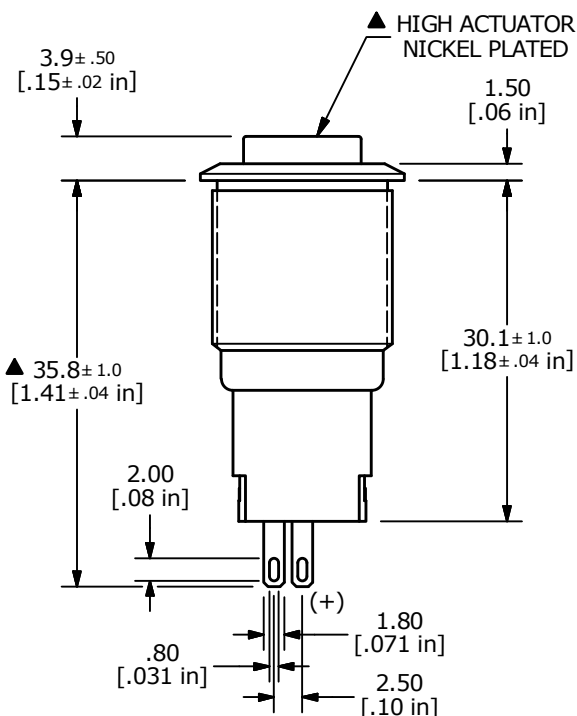
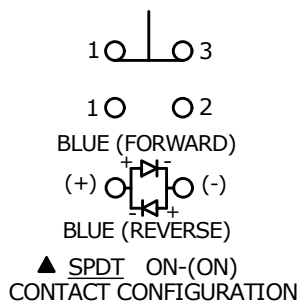
PANEL CUTOUT  
 MAX. PANEL THICKNESS  
 14.0mm [.55]



▲ SWITCH FUNCTION

| POS. 1 | POS. 2 |
|--------|--------|
|        |        |
| ON     | (ON)   |
| 1-3    | 1-2    |

(ON) = MOMENTARY



NOTE:

- ALL DIMENSIONS IN MM [INCH]
- GENERAL TOLERANCE: X.X = ±0.4  
 X.XX = ±0.25
- TERMINAL NUMBERS FOR REF ONLY
- CONTACT MATERIAL: SILVER
- RATING: 2A 48VDC
- ELECTRIC LIFE: 50,000 MAKE-AND-BREAK CYCLES AT FULL LOAD.
- INSULATION RESISTANCE: 1,000 MΩ MIN.
- DIELECTRIC STRENGTH: 2,000 VAC MIN. FOR 1 MINUTE
- CONTACT RESISTANCE: 50mΩ MAX. @ 1A 12VDC
- OPERATING TEMP.: -20°C to 55°C
- ▲ DENOTES CRITICAL PARAMETER.
- HARDWARE SUPPLIED: O-RING AND HEXNUT
- INGRESS RATING: IP40
- LAMP VOLTAGE: 12V

| REV | PCR NO | DESCRIPTION                | DATE    | BY  |
|-----|--------|----------------------------|---------|-----|
| E   | 23614  | update +/- Terminals       | 2/27/19 | MW  |
| D   | 23359  | UPDATED RATING TO 2A 48VDC | 5/14/18 | MJR |
| C   | 22882  | UPDATED RATING TO 1A 24VDC | 6/7/17  | MJR |



|                     |                 |        |                     |       |
|---------------------|-----------------|--------|---------------------|-------|
| TITLE PV3H2B0NN-344 |                 |        |                     |       |
| SCALE 3:2           | DATE 12/27/2012 | DR EBP | DWG 52-PV3H2B0NN344 | REV E |

THE INFORMATION CONTAINED IN THIS DOCUMENT IS PROPRIETARY TO E-SWITCH AND IS NOT TO BE COPIED OR TRANSFERRED