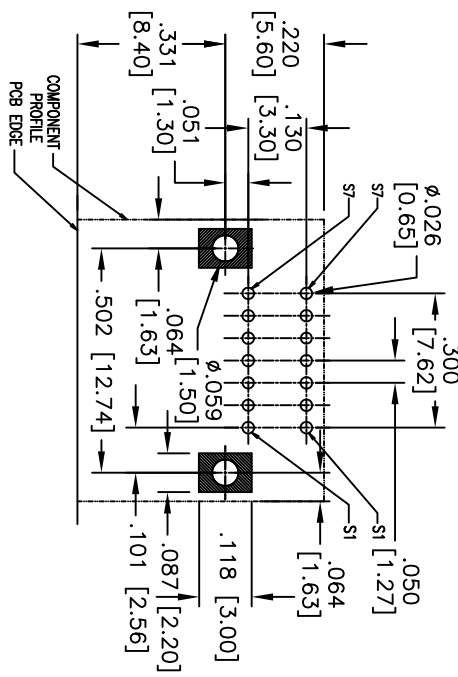
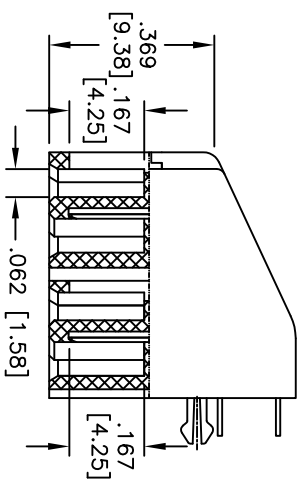
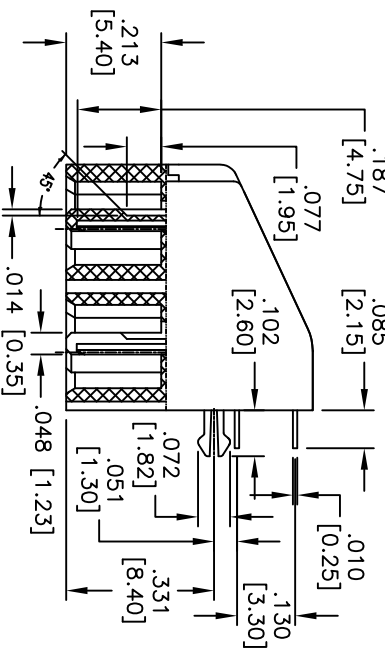
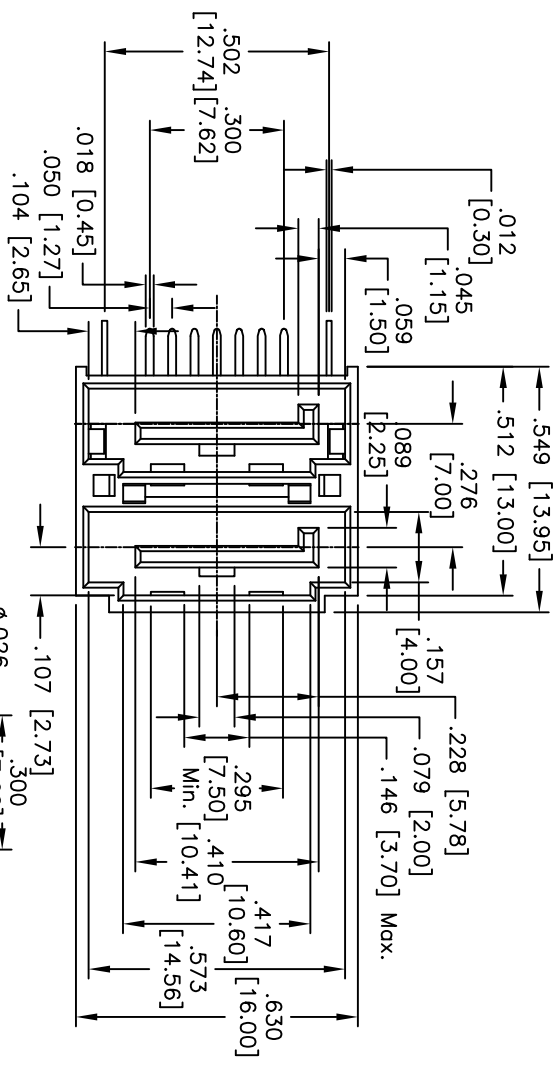
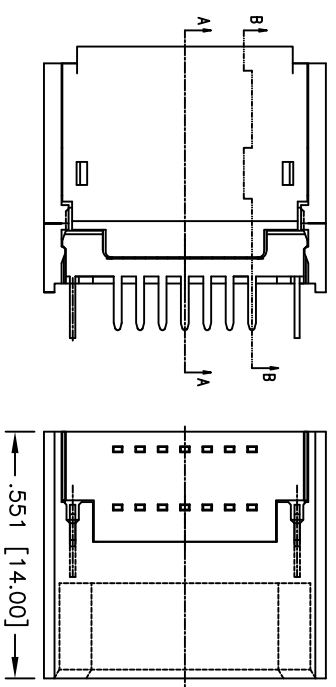


APPROVED: \_\_\_\_\_  
 DATE: \_\_\_\_\_ TITLE: \_\_\_\_\_

Rev	AWO #	Description	Date	Appr
-		RELEASED	5/25/11	
A		UPDATED SHAPE	3/23/15	HRYYC



Signal Segment Name	Type
S1	QND
S2	AT
S3	AT
S4	QND
S5	B-
S6	B+
S7	QND

RECOMMENDED PCB LAYOUT

**SPECIFICATIONS:**  
**Material:** Nylon66, glass reinforced, rated UL 94V-0  
**Insulator color:** Black  
**Contacts:** Brass  
**Harpoon:** Brass, Tin over Nickel  
**Plating:**  
 Tin over Copper underplate on tails  
 Tin over Nickel underplate on mating area,  
 Electrical:  
**Operating voltage:** 100 VAC max  
**Current rating:** 1.5 Amps max  
**Contact resistance:** 30 mohms max  
**Insulation resistance:** 1,000 Mohms min  
**Dielectric withstanding voltage:** 500 VAC  
**Temperature Rating:**  
**Operating temperature:** -55°C to +125°C  
**Environmental:**  
 Lead free, ROHS compliant



UNLESS OTHERWISE SPECIFIED  
 ALL DIMENSIONS ARE IN INCHES [MM]  
 TOLERANCES: EXCEPT AS NOTED  
 INCHES HILES  
 .X ± .10  
 .XX ± .020  
 .XXX ± .015  
 .XXX ± .010

**ADAM TECH**  
 909 Railway Avenue, Union, NJ 07083  
 Phone: 908-687-5000 Fax: 908-687-5710

APPROVALS	DATE	TITLE	SIZE	PART NO.	SCALE	SHEET 1 OF 1
DRAWN	DY	5/25/11	X	SATA-D-PL-RT	NIS	A
CHECKED						
APPROVED						