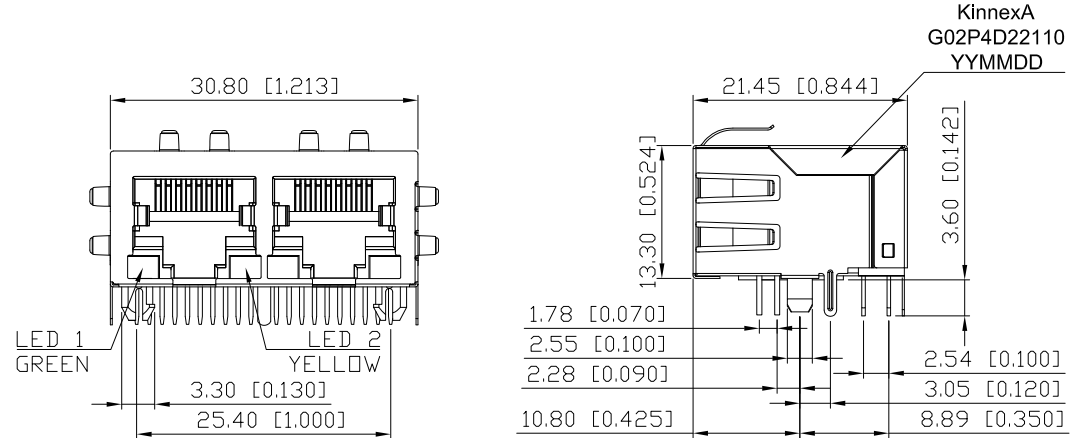


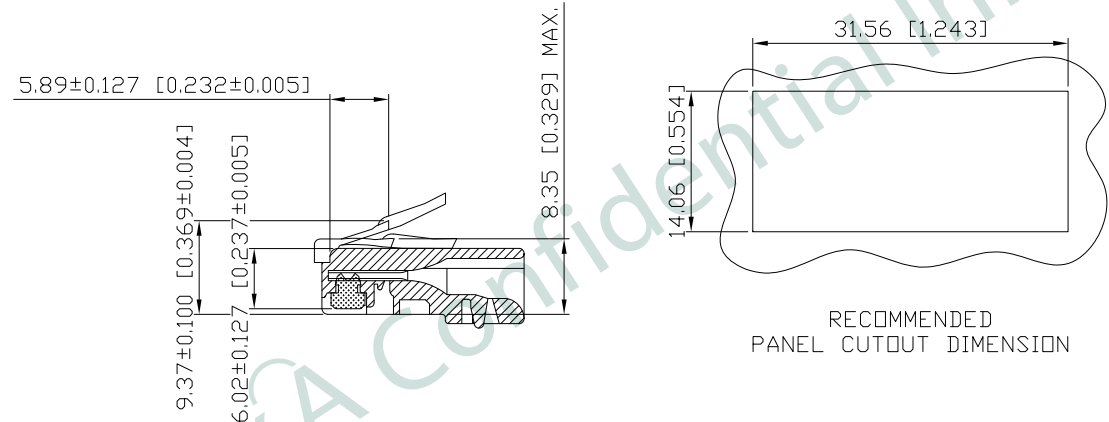
1. MECHANICAL DIMENSIONS :

REV.	DATE	DESCRIPTION
A	Aug. 07, '17	1st RELEASE



- NOTES:
- MATERIAL:  
HOUSING: NYLON, UL94V-0, COLOR-BLACK  
CONTACTS: T=0.35mm PHOS-BRONZE,  
30u" GOLD PLATING AND TIN IN SOLDER AREA  
SHIELD: T=0.25mm COPPER ALLOY, NICKEL PLATING
  - OPERATING TEMPERATURE: -40°C~+85°C
  - INSERTION FORCE: 4 POUNDS MAX.  
EXTRACTION FORCE: 4 POUNDS MAX.
  - DURABILITY: 750 MATING CYCLED MIN.
  - CAVITY CONFORMS TO FCC RULES AND REGULATIONS PART 68, SUBPART F.
  - UNSPECIFIED TOLERANCE: .XX ±0.25[0.010]  
.X ±0.30[0.012]

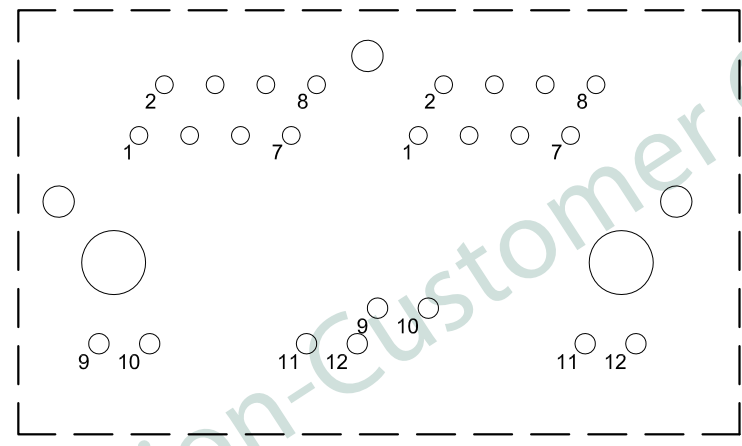
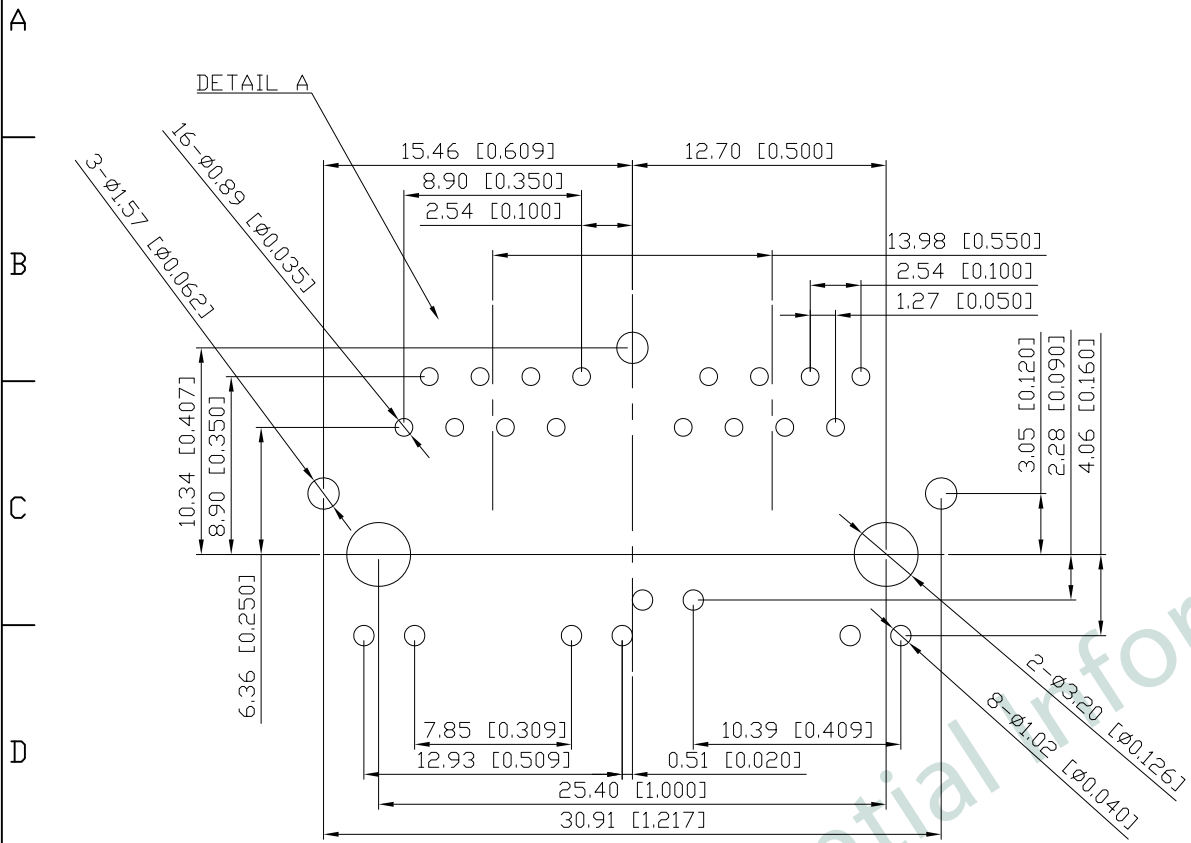
RECOMMENDED PLUG DIMENSION:



PART NO KRG-02P-4-D22-110				
TITLE	RJ45 1X2 8P8C, W/10/100 TRANSFORMER, W/LED, SHIELDED			
REV : A				
UNIT	DRAWN	CHKD	DATE	SHEET
mm[inch]	CINDY	DANIEL	Aug. 07, '17	1 of 4

ROHS Compliant

2. PCB LAYOUT :



DETAIL A

P#	DEFINITION
P1	TD+
P2	TD-
P3	RD+
P4	CT
P5	CT
P6	RD-
P7	-
P8	GND
P9	LEFT GR+
P10	LEFT GR-
P11	RIGHT YE+
P12	RIGHT YE-

SUGGESTED PCB LAYOUT  
(TOP VIEW) SCALE: 2:1  
DIMENSIONAL TOLERANCE: .XX ±0.08[0.003]

KRG-02P-4-D22-110

PRODUCT SERIES  
KRG: LATCH DOWN WITH LED

MECHANICAL TYPE  
02P: 2 PORT FOR KRG  
W/HORIZONTAL LED PIN  
LED COLOR OPTION

CIRCUIT TYPE

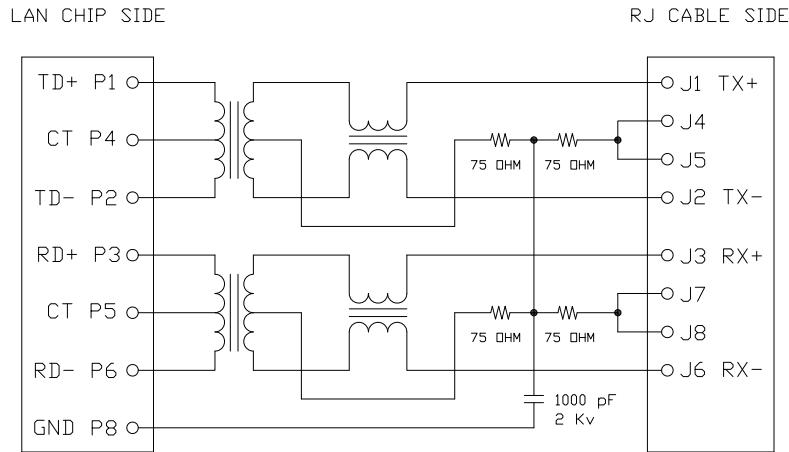
SPECIAL CODE  
0: STANDARD

SHIELDED TYPE  
1: Y=3.05, EMI FINGER ON ALL SIDE

LED POLARITY  
1: +-, +-

PART NO		KRG-02P-4-D22-110		
TITLE	RJ45 1X2 8P8C, W/10/100 TRANSFORMER, W/LED, SHIELDED			
REV : A				
UNIT	DRAWN	CHKD	DATE	SHEET
mm[inch]	CINDY	DANIEL	Aug. 07, '17	2 of 4

### 3. SCHEMATIC :



COLOR	VF(V) @20mA		IV(mcd) @20mA	IF(mA)	PEAK WAVE LENGTH λP(nm) @20mA
	TYP	MAX	TYP	TYP	TYP
GREEN	2.2	2.6	10	20	570
YELLOW	2.2	2.6	15	20	588

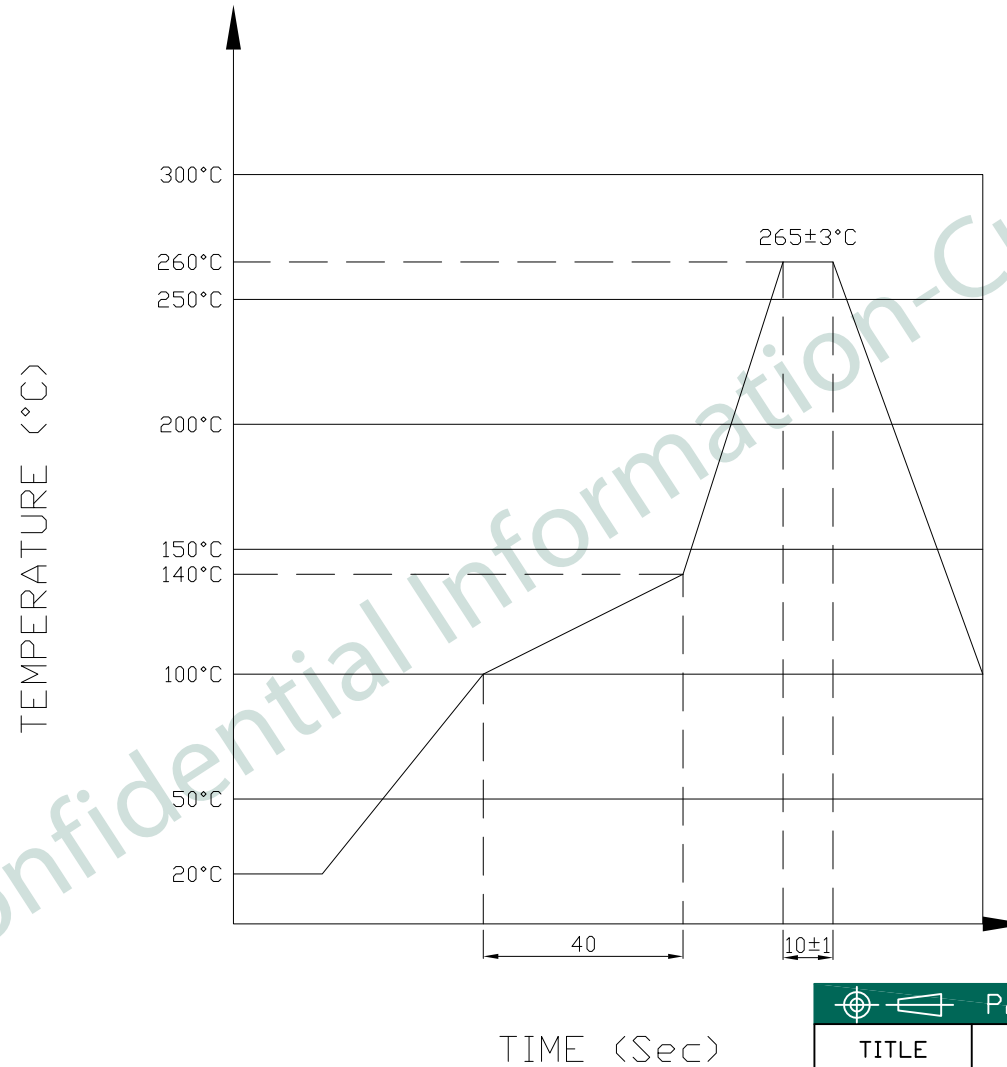
### 4. ELECTRICAL CHARACTERISTICS :

TEST NOTES:(25±5°C)

- 1.TR:  
INPUT TO OUTPUT=1:1±3%
- 2.LX:(100KHz,100mV,8mA, DC Bias)  
350μH MINIMUM
- 3.DCR:  
EVERY RJ PAIR=1.2 Ω MAXIMUM
- 4.HIPOT:  
INPUT TO OUTPUT PIN: 1500 VAC/60SEC
- 5.INSERTION LOSS:  
-1.0dB MAXIMUM AT 0.3MHz TO 100MHz
- 6.RETURN LOSS:  
-20dB MINIMUM AT 1MHz TO 30MHz  
-15dB MINIMUM AT 30MHz TO 60MHz  
-10dB MINIMUM AT 60MHz TO 80MHz
- 7.CROSS TALK:  
-30dB MINIMUM AT 1MHz TO 100MHz
- 8.COMMON TO COMMON MODE REJECTION:  
-30dB MINIMUM AT 1MHz TO 100MHz

PART NO		KRG-02P-4-D22-110		
TITLE	RJ45 1X2 8P8C, W/10/100 TRANSFORMER, W/LED, SHIELDED			
REV : A				
UNIT	DRAWN	CHKD	DATE	SHEET
mm[inch]	CINDY	DANIEL	Aug. 07, '17	3 of 4

5. PROFILE OF WAVE SOLDER :



The measuring point for the specified temperature shall be on the soldered part of the lead

PART NO KRG-02P-4-D22-110				
TITLE	RJ45 1X2 8P8C, W/10/100 TRANSFORMER, W/LED, SHIELDED			
REV : A				
UNIT	DRAWN	CHKD	DATE	SHEET
mm[inch]	CINDY	DANIEL	Aug. 07, '17	4 of 4