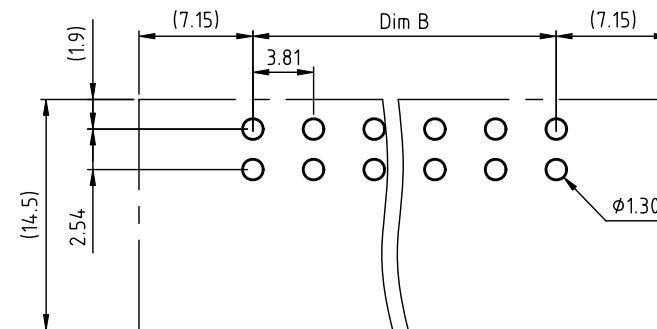
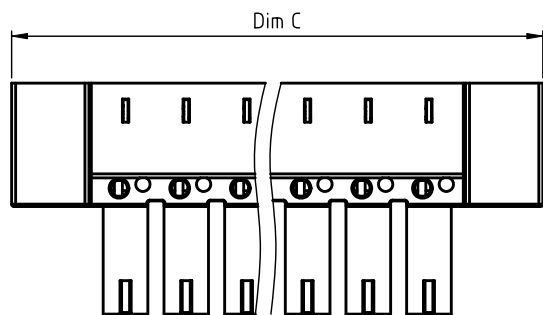
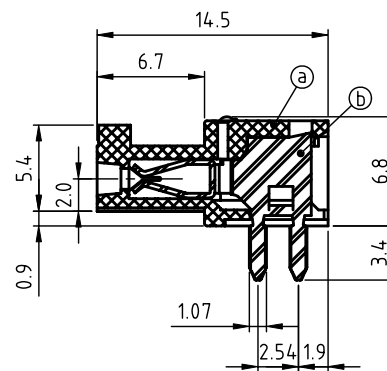
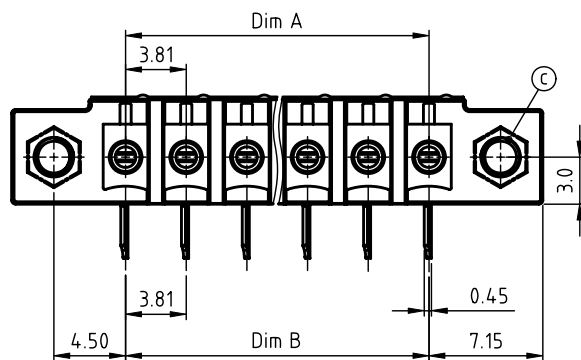


PRODUCT NUMBER	PITCH
V7xx32x100J0G	3.81 mm



RECOMMENDED P.C.B LAYOUT
TOP VIEW



- Material:
- Item (a) Terminal body: Thermoplastic (UL94V-0)
 - Item (b) Female contact: PhBz(CuSn), Tin plated
 - Item (c) With Flange Nut : Brass M2.5
- Electrical cULus
- Voltage rating: 300V AC
 - Current rating: 8A
 - Withstanding Voltage: 1.6kv
 - Operating temperature: -40°C to +115°C
 - Soldering temperature: 260°C±5°C/5 Sec
 - Safety Approval:

N=Number of poles
 Dim A=(N-1)×3.81
 Dim B=(N-1)×3.81
 Dim C=(N-1)×3.81+14.3

poles	Tolerance
2-5p	±0.10
6-10p	±0.15
11-15p	±0.20
16-20p	±0.25
21-24p	±0.30

PART NO.: V7 xx 32 x 1 00J0 G

Solid block	No. of poles	Color	RoHS compliant (lead<4%) In copper Alloy
0	2	Black (RAL9005)	
02	3	Red (RAL3001/D)	
03	4	Orange(RAL2011/P)	
...	...	Yellow(RAL1018/A)	
...	...	Green(RAL6018/T)	
24	6	Blue (RAL5015/A)	
	8	Grey(RAL7035/D)	
	9	White(RAL1102)	
	C	Green(RAL6018/U)	

mat'l. code		surface ASME Y14.5	tolerance ASME Y14.5	projection	product family
ltr ecn no dr date		tolerances unless otherwise specified			TERMINAL BLOCK
		angles	X.±0.5	MM	title
		flat	X.X±0.3	scale	TERMINAL BLOCK
		X*±1*	X.XX±0.1		PLUGGABLE PCB PLUG, WITH FLANGE, RIGHT ANGLE
		dr	EVIN ZHONG 043014		dwg no
		enrg	EVIN ZHONG 043014		sheet 1 of 1
		chr	HANKE FENG 043014		size
		appd	SHI JUN 043014		A4
sheet index	revision sheet	A	1		type
					CUSTOMER Drawing