

THIS DRAWING IS UNPUBLISHED.

RELEASED FOR PUBLICATION

-. -. .

© COPYRIGHT - By -

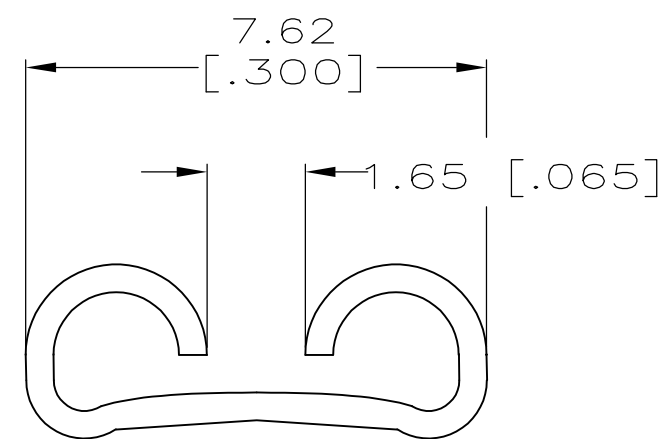
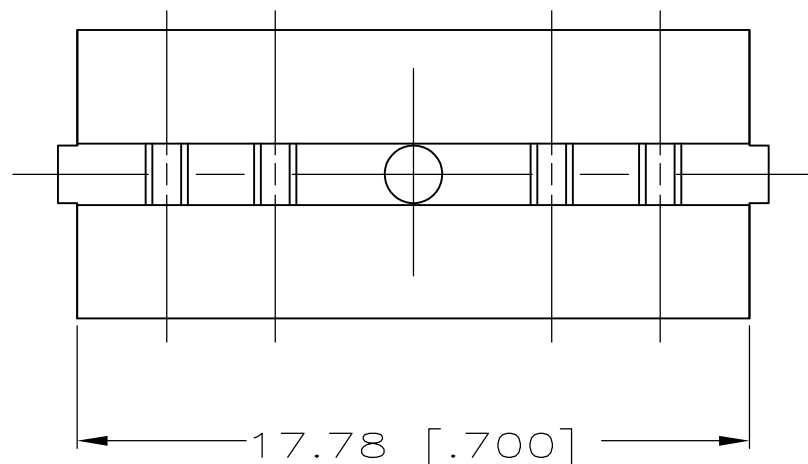
ALL RIGHTS RESERVED.

LOC
AF DIST
50

REVISIONS

P	LTR	DESCRIPTION	DATE	DWN	APVD
	D	REVISED PER ECR-12-013518	24NOV12	KH	PD


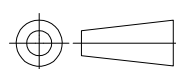
1 CONTINUOUS STRIP ON REELS



VIEW X-X
SCALE 8:1



TIN	0.635 ± 0.025 [0.025 ± 0.001]	63918-1
FINISH	MATING TAB THICKNESS	PART NO.

THIS DRAWING IS A CONTROLLED DOCUMENT.		DWN JR RUTH 6/26/96	 TE Connectivity			
DIMENSIONS: mm [INCHES]		CHK MS FEHER 6/26/96				
		APVD V KARABCIJEVSKY 6/26/96	NAME RECEPTACLE, FASTON, 6.35 [0.250] SERIES			
TOLERANCES UNLESS OTHERWISE SPECIFIED: 0 PLC ± - 1 PLC ± - 2 PLC ± - 3 PLC ± 0.13 [0.005] 4 PLC ± - ANGLES ± -		PRODUCT SPEC -	APPLICATION SPEC -			
MATERIAL BRASS	FINISH SEE TABLE	WEIGHT -	SIZE A3	CAGE CODE 00779	DRAWING NO C-63918	RESTRICTED TO -
CUSTOMER DRAWING			SCALE 5:1	SHEET 1 OF 1	REV D	