

Materials and Finish

Housing: PBT Thermoplastic
15% Glass Filled, UL 94V-0
Rated, Black Color

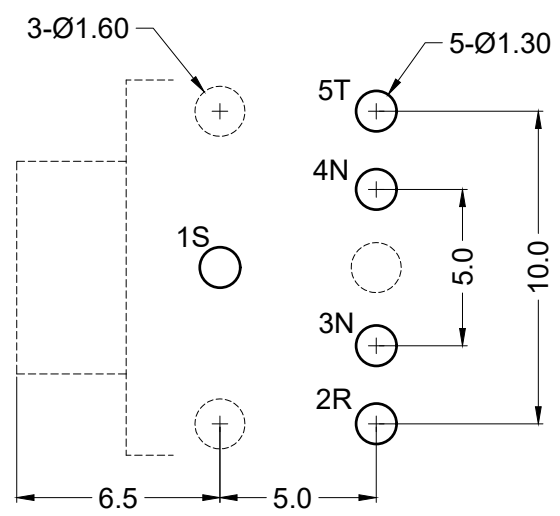
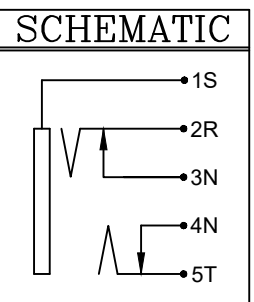
Contact Material:
Pin #1: Copper Alloy, Nickel Plated
Pin #2 and Pin #5:
Phosphor Bronze, Matte
Tin Plated
Pin #3 and Pin #4:
Copper Alloy, Matte
Tin Plated

Electrical Characteristics

Insulation Resistance:
100 Megohms at 500V DC
Contact Resistance:
50 milliohms Max.
Dielectric Withstanding Voltage:
500V AC RMS for 1 Minute

Mechanical Characteristics

Insertion Force: 0.4kg - 3.0kg
Withdrawal Force: 0.3kg - 3.0kg
Durability: 5000 Mating Cycles Min.
Operating Temperature:
-25°C to +100°C



Recommended PCB Layout
(Bottom View)

Tolerances

X.X ± 0.35
X.XX ± 0.25
Unless Stated
Otherwise



REV.	DATE	DESCRIPTION	REV. BY	CHK. BY	DRAWN BY	DATE
A1	6/7/06	Release Drawing	H. MA	N/A	R. Aguirre	07/14/05
A2	6/02/08	Add Nut Info.	S. Vien	H. MA		
B2	10/18/10	ECO #10-068	P. DalCanto	H. MA		
B3	5/2/11	ECO #11-027	P. DalCanto	H. MA		
B4	1/19/12	ECO #12-001	P. DalCanto	H. MA		
B5	08/14/18	Update Address	D. Shehan	N/A		

STX-3200-5CB

High Profile Stereo Jack, 5 pos., RoHS Compliant
Metal Bushing, Threaded Barrel, Backplate

